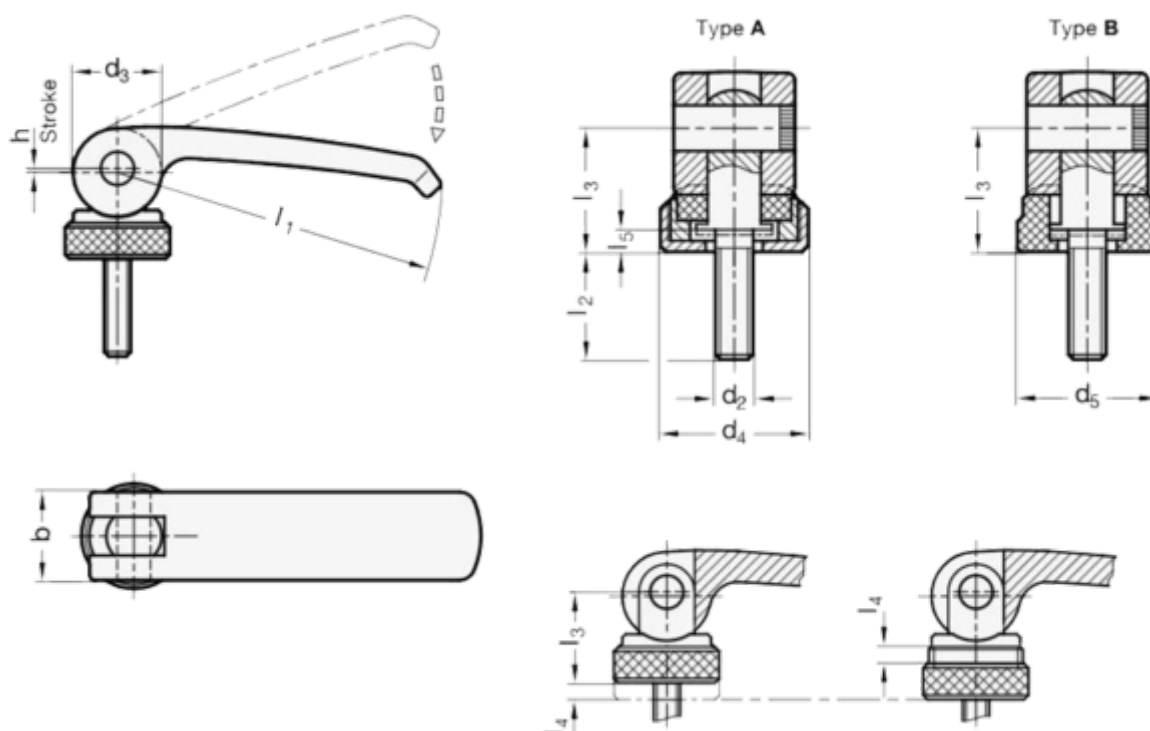


Article number: 20927101M1020BB

Description: E+G Clamping lever GN 927-101-M10-20-B-B
in black, male thread

Measures



$b = 25$
 $d_2 = M10$
 $d_4 =$
 $d_5 = 27$
 $l_1 = 101$
 $l_2 = 20$